

metos
kitchen intelligence[®]

Nordien-System Trolleys



Service trolley SET-70/2 FP

Code MG4554216

Flat pack

Features

- stainless steel construction
- ball bearing wheels Ø 125 mm
two with brakes
- two tiers, tier interval 495 mm
- tier size 485 x 685 mm
- max. load 80 kg
- dampening mat under shelves
- delivery in cardboard box unmounted
- easy to mount with instruction and a tool included in delivery

Product number	MG4554216
Size mm (w * d * h)	685 * 485 * 800/900
Weight	12,100KG
Capacity	2 tiers, 80 kg

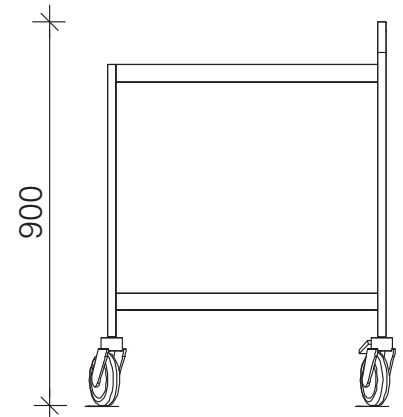
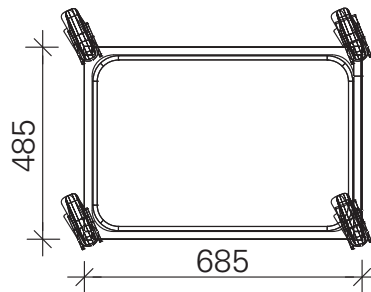


Accessories

Trolley Bumper for SET-70

- bumper for SET-70 service trolleys
- reduces crockery breakage
- to be ordered with the trolley

Product number	MG4554172
Size mm (w * d * h)	740 * 540 * 60
Weight	3,000KG



Service trolley SET-75/2 FP

Code MG4554218

Flat pack

Features

- stainless steel construction
- ball bearing wheels Ø 125 mm two with brakes
- two tiers, tier interval 495 mm
- tier size 585 x 765 mm
- max. load 80 kg
- dampening mat under shelves
- delivery in cardboard box unmounted
- easy to mount with instruction and a tool included in delivery

Product number	MG4554218
Size mm (w * d * h)	765 * 585 * 800/900
Weight	16,050KG
Capacity	2 tiers, 80 kg

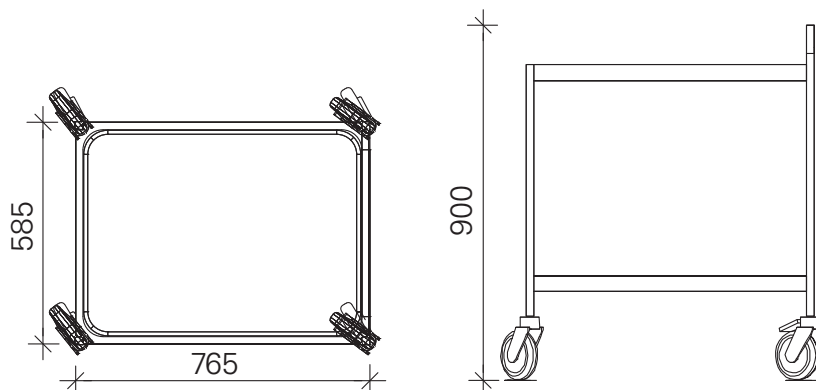


Accessories

Trolley Bumper for SET-75

- bumper for SET-75 service trolleys
- reduces crockery breakage
- to be ordered with the trolley

Product number	MG4554174
Size mm (w * d * h)	820 * 640 * 60
Weight	3,000KG



Service trolley SET-105/2 FP

Code MG4554220

Flat pack

Features

- stainless steel construction
- ball bearing wheels Ø 125 mm, two with brakes
- two tiers, tier interval 495 mm
- tier size 585 x 1120 mm
- max. load 80 kg
- dampening mat under shelves
- delivery in cardboard box unmounted
- easy to mount with instruction and a tool included in delivery

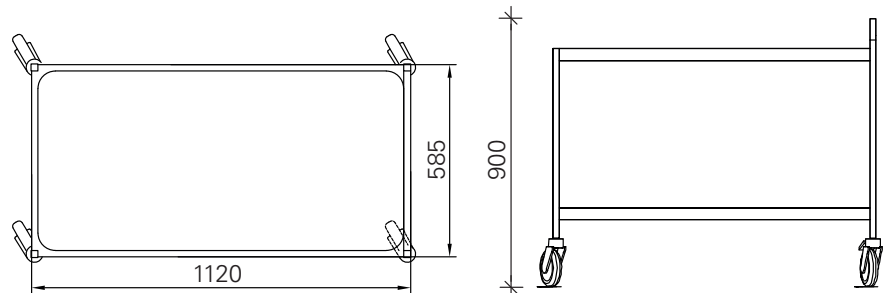


Product number	MG4554220
Size mm (w * d * h)	1120 * 585 * 800/900
Weight	23,200KG
Capacity	2 tiers, 80 kg

Accessories

Trolley Bumper for SET-105

- bumper for SET-105 service trolleys
- reduces crockery breakage
- to be ordered with the trolley



Product number	MG4554176
Size mm (w * d * h)	1175 * 640 * 60
Weight	3,000KG



Service trolley SET-70/3 FP

Code MG4554232

Flat pack

Features

- stainless steel construction
- ball bearing wheels Ø 125 mm, two with brakes
- three tiers, tier interval 230 mm
- tier size 485 x 685 mm
- max. load 120 kg
- dampening mat under shelves
- delivery in cardboard box unmounted
- easy to mount with instruction and a tool included in delivery

Product number	MG4554232
Size mm (w * d * h)	685 * 485 * 800/900
Weight	13,000KG
Capacity	3 tiers, 120 kg

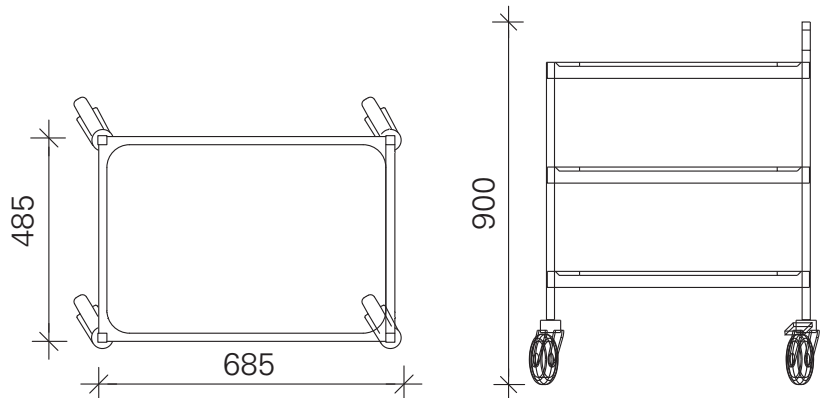


Accessories

Trolley Bumper for SET-70

- bumper for SET-70 service trolleys
- reduces crockery breakage
- to be ordered with the trolley

Product number	MG4554172
Size mm (w * d * h)	740 * 540 * 60
Weight	3,000KG



Service trolley SET-70/3wooden FP White

Code MG4554069

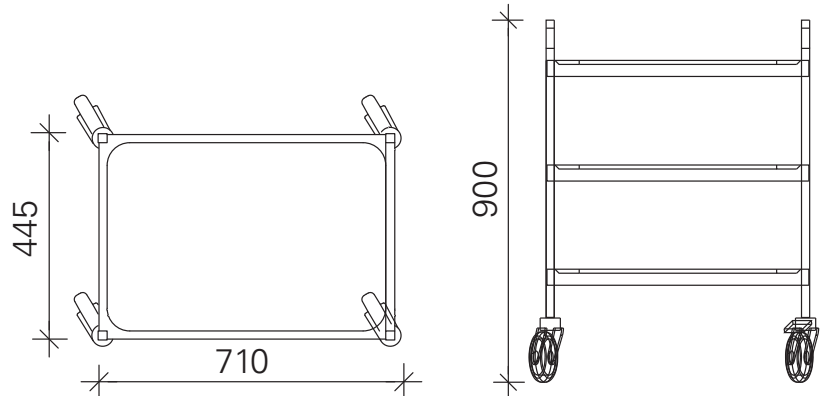
Flat pack

Features

- stainless steel construction
- tiers of white laminate
- ball bearing wheels Ø 125 mm, two with brakes
- three tiers, tier interval 220 mm
- tier size 430 x 640 mm
- stainless steel handles in both ends
- max. load 80 kg
- delivery in cardboard box unmounted
- easy to mount with instruction and a tool included in delivery



Product number	MG4554069
Size mm (w * d * h)	710 * 445 * 800 / 900
Weight	17,000KG
Capacity	3 tiers, 80 kg



Service trolley SET-70/3wooden FP Black

Code MG4554067

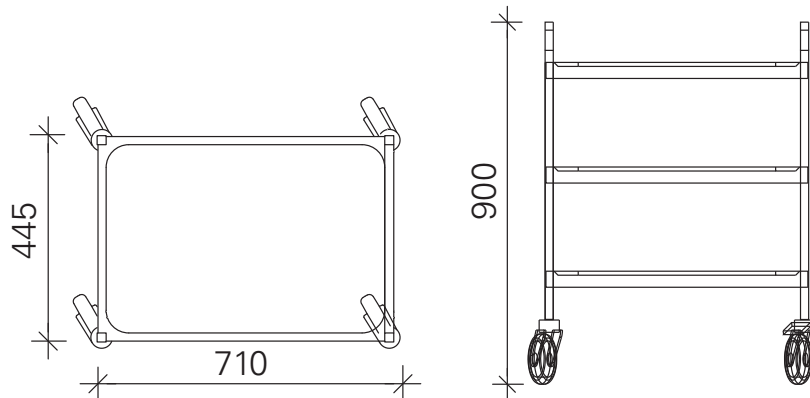
Flat pack

Features

- stainless steel construction
- tiers of black laminate
- ball bearing wheels Ø 125 mm, two with brakes
- three tiers, tier interval 220 mm
- tier size 430 x 640 mm
- stainless steel handles in both ends
- max. load 80 kg
- delivery in cardboard box unmounted
- easy to mount with instruction and a tool included in delivery



Product number	MG4554067
Size mm (w * d * h)	710 * 445 * 800 / 900
Weight	17,000KG
Capacity	3 tiers, 80 kg



Service trolley SET-70/3wooden FP Grey

Code MG4554059

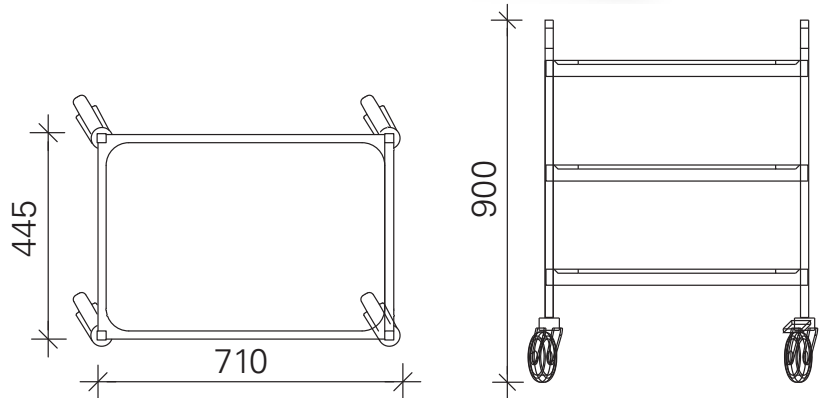
Flat pack

Features

- stainless steel construction
- tiers of grey laminate
- ball bearing wheels Ø 125 mm, two with brakes
- three tiers, tier interval 220 mm
- tier size 430 x 640 mm
- stainless steel handles in both ends
- max. load 80 kg
- delivery in cardboard box unmounted
- easy to mount with instruction and a tool included in delivery



Product number	MG4554059
Size mm (w * d * h)	710 * 445 * 800 / 900
Weight	17,000KG
Capacity	3 tiers, 80 kg



Service trolley SET-75/3 FP

Code MG4554222

Flat pack

Features

- stainless steel construction
- ball bearing wheels Ø 125 mm, two with brakes
- three tiers, tier interval 230 mm
- tier size 585 x 765 mm
- max. load 120 kg
- dampening mat under shelves
- delivery in cardboard box unmounted
- easy to mount with instruction and a tool included in delivery

Product number	MG4554222
Size mm (w * d * h)	765 * 585 * 800/900
Weight	21,700KG
Capacity	3 tiers, 120 kg

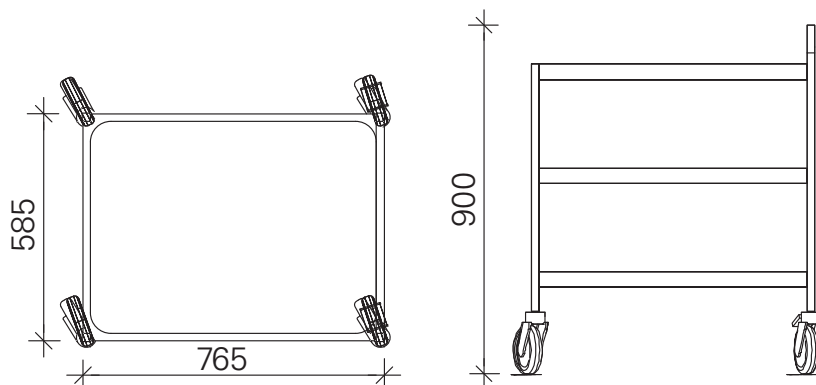


Accessories

Trolley Bumper for SET-75

- bumper for SET-75 service trolleys
- reduces crockery breakage
- to be ordered with the trolley

Product number	MG4554174
Size mm (w * d * h)	820 * 640 * 60
Weight	3,000KG



Service trolley SET-105/3 FP

Code MG4554224

Flat pack

Features

- stainless steel construction
- ball bearing wheels Ø 125 mm, two with brakes
- three tiers, tier interval 230 mm
- tier size 585 x 1120 mm
- max. load 120 kg
- dampening mat under shelves
- delivery in cardboard box unmounted
- easy to mount with instruction and a tool included in delivery

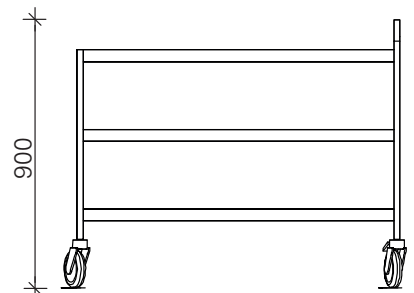
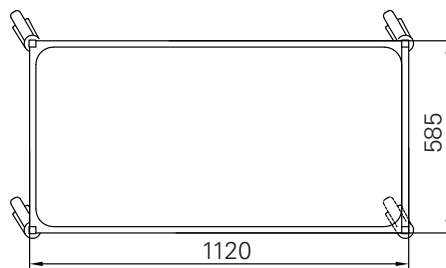


Product number	MG4554224
Size mm (w * d * h)	1120 * 585 * 900
Weight	31,300KG
Capacity	3 tiers, 120 kg

Accessories

Trolley Bumper for SET-105

- bumper for SET-105 service trolleys
- reduces crockery breakage
- to be ordered with the trolley



Product number	MG4554176
Size mm (w * d * h)	1175 * 640 * 60
Weight	3,000KG



Service trolley SET-75WH/2 FP

Code MG4554226

Flat pack

Features

- stainless steel construction
- without handle, height 800 mm
- ball bearing wheels Ø 125 mm, two with brakes
- two tiers, tier interval 495 mm
- tier size 585 x 765 mm
- max. load 80 kg
- dampening mat under shelves
- delivery in cardboard box unmounted
- easy to mount with instruction and a tool included in delivery

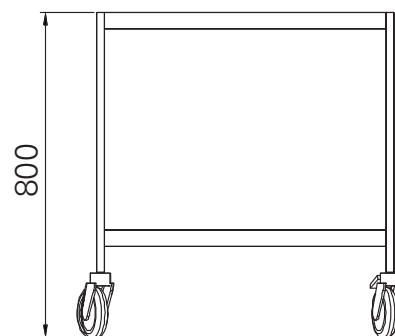
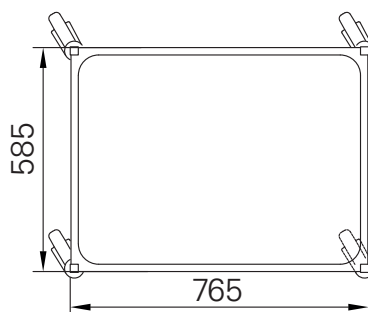
Product number	MG4554226
Size mm (w * d * h)	765 * 585 * 800
Weight	15,550KG
Capacity	2 tiers, 80 kg



Accessories

Trolley Bumper for SET-75

- bumper for SET-75 service trolleys
- reduces crockery breakage
- to be ordered with the trolley



Product number	MG4554174
Size mm (w * d * h)	820 * 640 * 60
Weight	3,000KG



Service trolley SET-75WH/2high FP

Code MG4554228

Flat pack

Features

- stainless steel construction
- without handle, height 900 mm
- ball bearing wheels Ø 125 mm, two with brakes
- two tiers, tier interval 495 mm
- tier size 585 x 765 mm
- max. load 80 kg
- dampening mat under shelves
- delivery in cardboard box unmounted
- easy to mount with instruction and a tool included in delivery

Product number	MG4554228
Size mm (w * d * h)	765 * 585 * 900
Weight	16,450KG
Capacity	2 tiers, 80 kg

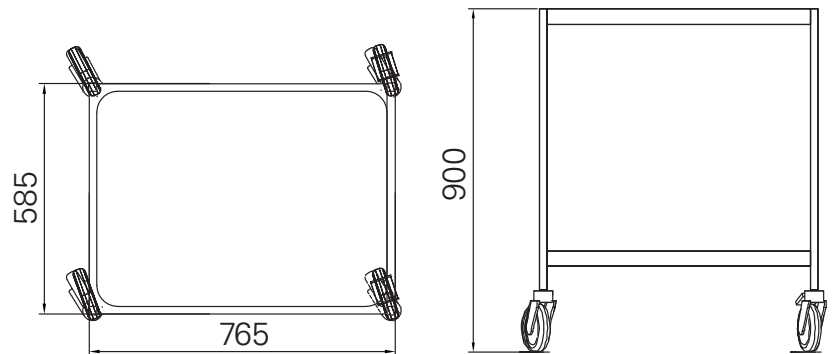


Accessories

Trolley Bumper for SET-75

- bumper for SET-75 service trolleys
- reduces crockery breakage
- to be ordered with the trolley

Product number	MG4554174
Size mm (w * d * h)	820 * 640 * 60
Weight	3,000KG



Basket trolley BAT-4 FP

Code MG4554236

Flat pack

Features

- stainless steel frame
- guide rails of polypropene
- stoppers in both ends of guide rails
- ball bearing wheels Ø 125 mm, two with brakes
- four pairs of guide rails for baskets, interval 1x160 mm and 3x120 mm
- max. load 80 kg
- delivery in cardboard box unmounted
- easy to mount with instruction and a tool included in delivery

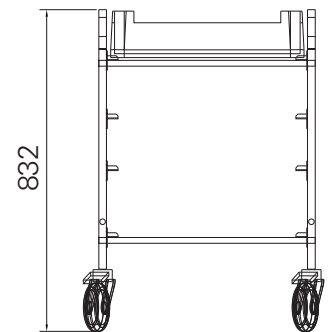
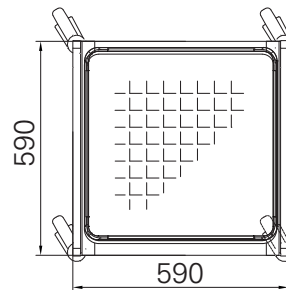


Product number	MG4554236
Size mm (w * d * h)	590 * 590 * 832
Weight	7,900KG
Capacity	4 baskets

Accessories

Trolley Bumper for BAT

- bumper for basket trolleys
- reduces crockery breakage
- to be ordered with the trolley



Product number	MG4554164
Size mm (w * d * h)	645 * 645 * 60
Weight	2,750KG

Top shelf Metos BAT

- top shelf for BAT trolleys
- material stainless steel



Product number	MG4554528
Size mm (w * d * h)	565 * 565 * 70
Weight	5,100KG

Basket trolley BAT-5 FP

Code MG4554238

Flat pack

Features

- stainless steel frame
- guide rails of polypropene
- stoppers in both ends of guide rails
- ball bearing wheels Ø 125 mm, two with brakes
- five pairs of guide rails for baskets, interval 160 mm
- max. load 80 kg
- delivery in cardboard box unmounted
- easy to mount with instruction and a tool included in delivery

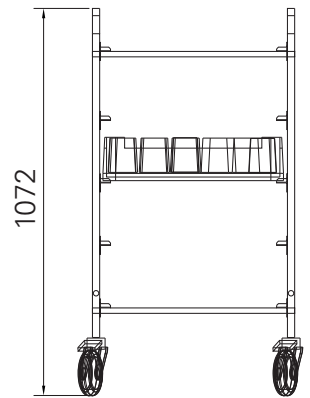
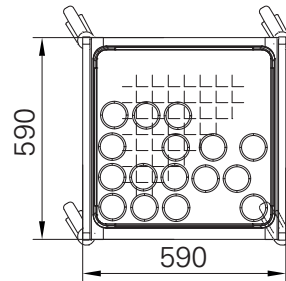
Product number	MG4554238
Size mm (w * d * h)	590 * 590 * 1072
Weight	10,300KG
Capacity	5 baskets



Accessories

Trolley Bumper for BAT

- bumper for basket trolleys
- reduces crockery breakage
- to be ordered with the trolley



Product number	MG4554164
Size mm (w * d * h)	645 * 645 * 60
Weight	2,750KG

Top shelf Metos BAT

- top shelf for BAT trolleys
- material stainless steel



Product number	MG4554528
Size mm (w * d * h)	565 * 565 * 70
Weight	5,100KG

Basket trolley BAT-6 high FP

Code MG4554478

Flat pack

Features

- stainless steel frame
- guide rails of polypropene
- stoppers in both ends of guide rails
- ball bearing wheels Ø 125 mm, two with brakes
- six pairs of guide rails for baskets, interval 228 mm
- max. load 80 kg
- delivery in cardboard box unmounted
- easy to mount with instruction and a tool included in delivery

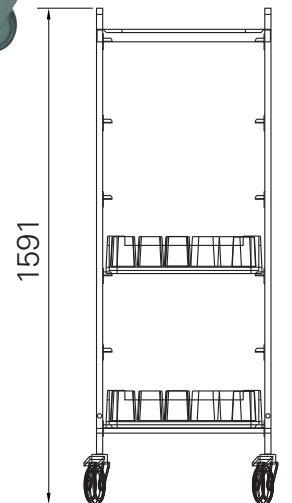
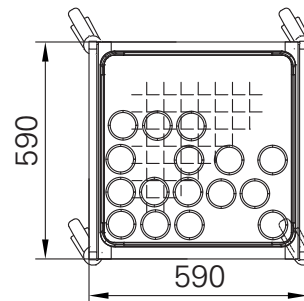
Product number	MG4554478
Size mm (w * d * h)	590 * 590 * 1591
Weight	11,750KG
Capacity	6 baskets



Accessories

Trolley Bumper for BAT

- bumper for basket trolleys
- reduces crockery breakage
- to be ordered with the trolley



Product number	MG4554164
Size mm (w * d * h)	645 * 645 * 60
Weight	2,750KG

Top shelf Metos BAT

- top shelf for BAT trolleys
- material stainless steel



Product number	MG4554528
Size mm (w * d * h)	565 * 565 * 70
Weight	5,100KG

Basket trolley BAT-8 FP

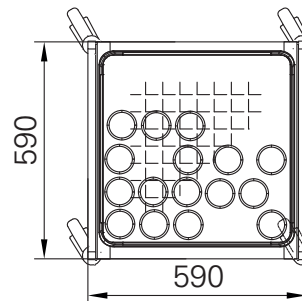
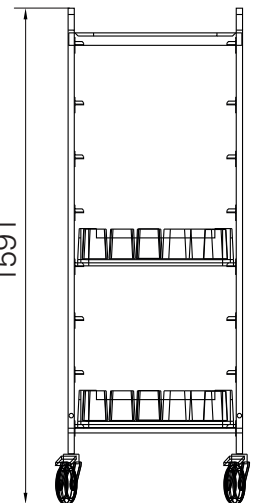
Code MG4554240

Flat pack

Features

- stainless steel frame
- guide rails of polypropene
- stoppers in both ends of guide rails
- ball bearing wheels Ø 125 mm, two with brakes
- eight pairs of guide rails for baskets, interval 160 mm
- max. load 80 kg
- delivery in cardboard box unmounted
- easy to mount with instruction and a tool included in delivery

Product number	MG4554240
Size mm (w * d * h)	590 * 590 * 1591
Weight	11,750KG
Capacity	8 baskets



Accessories

Trolley Bumper for BAT

- bumper for basket trolleys
- reduces crockery breakage
- to be ordered with the trolley



Product number	MG4554164
Size mm (w * d * h)	645 * 645 * 60
Weight	2,750KG

Top shelf Metos BAT

- top shelf for BAT trolleys
- material stainless steel



Product number	MG4554528
Size mm (w * d * h)	565 * 565 * 70
Weight	5,100KG

Basket trolley BAT-6 FP

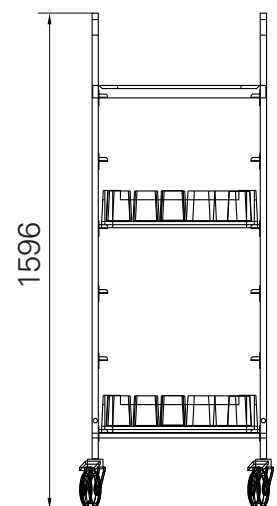
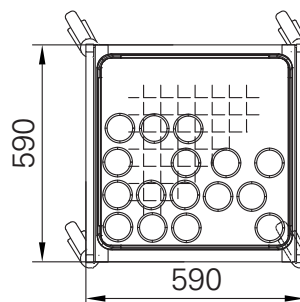
Code MG4554242

Flat pack

Features

- stainless steel frame
- guide rails of polypropene
- stoppers in both ends of guide rails
- ball bearing wheels Ø 125 mm, two with brakes
- 4+2 pairs of guide rails for baskets, interval 195 mm
- max. load 80 kg
- delivery in cardboard box unmounted
- easy to mount with instruction and a tool included in delivery

Product number	MG4554242
Size mm (w * d * h)	590 * 590 * 1596
Weight	11,750KG
Capacity	6 baskets



Accessories

Trolley Bumper for BAT

- bumper for basket trolleys
- reduces crockery breakage
- to be ordered with the trolley

Product number	MG4554164
Size mm (w * d * h)	645 * 645 * 60
Weight	2,750KG



Transport trolley Dolly

Code MG4554124

Flat pack

Features

- trolley for stackable 500 mm baskets
- stainless steel construction
- ball bearing wheels Ø 125 mm, two with brakes

Product number	MG4554124
Size mm (w * d * h)	520 * 520 * 205
Weight	4,500KG
Capacity	500 x 500 baskets

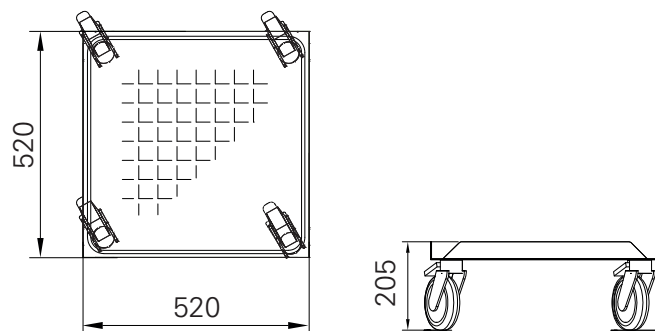


Accessories

Cover Metos 119, for 50 cm basket

- cover for baskets 50x50 cm, made of white plastic.

Product number	MG4550062
Size mm (w * d * h)	500 * 500 * 20
Weight	1,500KG



Transport trolley with handle Dolly

Code MG4554126

Flat pack

Features

- trolley for stackable 500 mm baskets
- stainless steel construction
- handle of stainless steel
- ball bearing wheels Ø 125 mm, two with brakes

Product number	MG4554126
Size mm (w * d * h)	565 * 580 * 920
Weight	7,700KG
Capacity	500 x 500 baskets

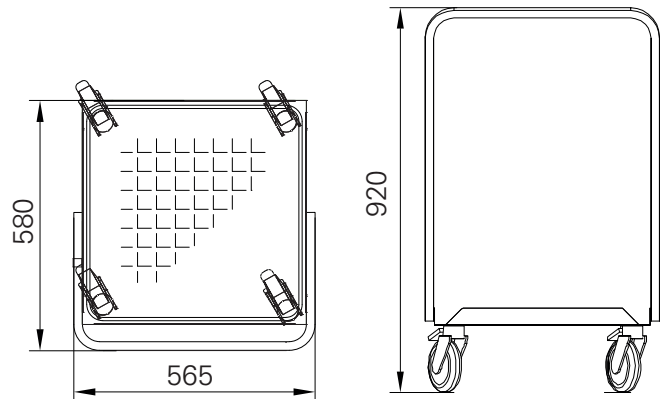


Accessories

Cover Metos 119, for 50 cm basket

- cover for baskets 50x50 cm, made of white plastic.

Product number	MG4550062
Size mm (w * d * h)	500 * 500 * 20
Weight	1,500KG



Tray trolley TRT-10 FP

Code MG4554262

Flat pack

Features

- stainless steel frame
- guide rails of polypropene
- stoppers in the both ends of guide rails
- ball bearing wheels Ø 125 mm, two with brakes
- for 10 trays 325 x 430/530 mm
- delivery in cardboard box unmounted
- easy to mount with instruction and a tool included in delivery

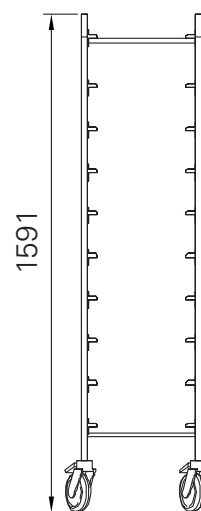
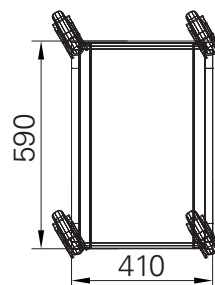
Product number	MG4554262
Size mm (w * d * h)	410 * 590 * 1591
Weight	12,000KG
Capacity	10 trays (325x430/530)

Accessories

Trolley Bumper for Metos TRT-10

- bumper for tray trolleys
- reduces crockery breakage
- to be ordered with the trolley

Product number	MG4554165
Size mm (w * d * h)	464 * 642 * 60
Weight	2,750KG



Tray trolley TRT-20 FP

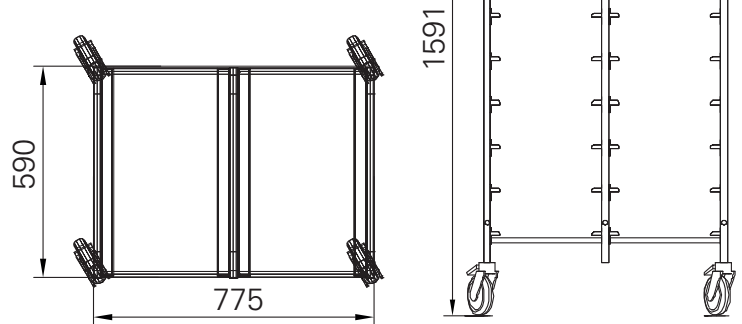
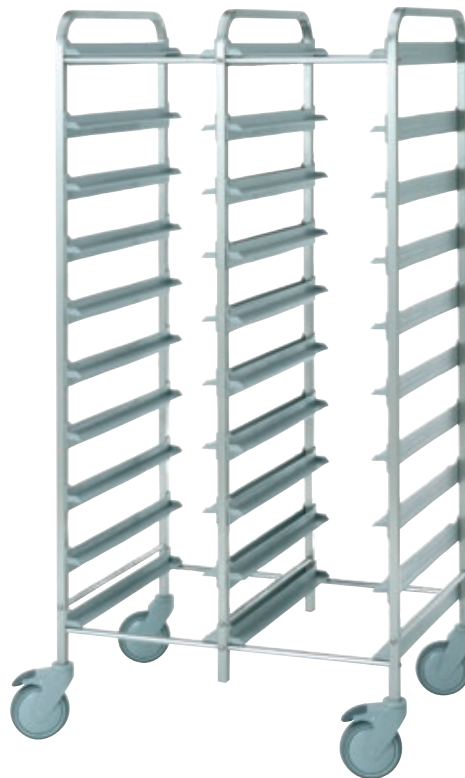
Code MG4554456

Flat pack

Features

- stainless steel frame
- guide rails of polypropene
- stoppers in the both ends of guide rails
- ball bearing wheels Ø 125 mm, two with brakes
- for 20 trays 325 x 430/530 mm
- delivery in cardboard box unmounted
- easy to mount with instruction and a tool included in delivery

Product number	MG4554456
Size mm (w * d * h)	775 * 590 * 1591
Weight	24,500KG
Capacity	20 trays (325x430/530)



Accessories

Trolley Bumper for Metos TRT-20

- bumper for tray trolleys
- reduces crockery breakage
- to be ordered with the trolley

Product number	MG4554167
Size mm (w * d * h)	826 * 642 * 60
Weight	3,000KG

Tray trolley TRT-10C FP White

Code MG4555802

Flat pack

Features

- stainless steel frame
- panelling of white laminate
- guide rails of polypropene
- stoppers in the both ends of guide rails
- ball bearing wheels Ø 125 mm, two with brakes
- for 10 trays 325 x 430/530 mm
- delivery in cardboard box unmounted
- easy to mount with instruction and a tool included in delivery

Product number	MG4555802
Size mm (w * d * h)	410 * 590 * 1591
Weight	19,450KG
Capacity	10 trays (325x430/530)

Accessories

Trolley Bumper for Metos TRT-10

- bumper for tray trolleys
- reduces crockery breakage
- to be ordered with the trolley

Product number	MG4554165
Size mm (w * d * h)	464 * 642 * 60
Weight	2,750KG



Tray trolley TRT-20C FP White

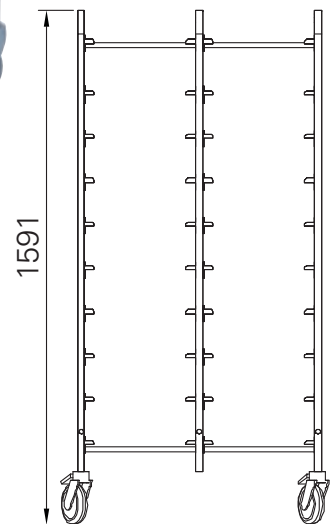
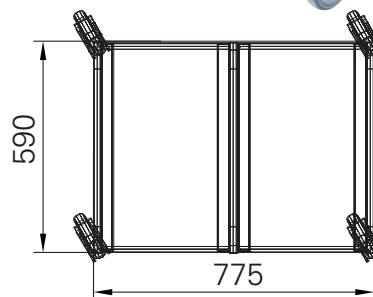
Code MG4555806

Flat pack

Features

- stainless steel frame
- panelling of white laminate
- guide rails of polypropene
- stoppers in the both ends of guide rails
- ball bearing wheels Ø 125 mm, two with brakes
- for 20 trays 325 x 430/530 mm
- delivery in cardboard box unmounted
- easy to mount with instruction and a tool included in delivery

Product number	MG4555806
Size mm (w * d * h)	775 * 590 * 1591
Weight	28,500KG
Capacity	20 trays (325x430/530)



Accessories

Trolley Bumper for Metos TRT-20

- bumper for tray trolleys
- reduces crockery breakage
- to be ordered with the trolley

Product number	MG4554167
Size mm (w * d * h)	826 * 642 * 60
Weight	3,000KG

 **NORDIEN-SYSTEM**

Metos Oy Ab

Ahjonkaarre

FI-04220 Kerava, FINLAND

T. +358 204 3913

international.sales@metos.com

www.metos.com

an Ali Group Company



the spirit of excellence

Tray trolley TRT-10C FP Black

Code MG4555803

Flat pack

Features

- stainless steel frame
- panelling of black laminate
- guide rails of polypropene
- stoppers in the both ends of guide rails
- ball bearing wheels Ø 125 mm, two with brakes
- for 10 trays 325 x 430/530 mm
- delivery in cardboard box unmounted
- easy to mount with instruction and a tool included in delivery

Product number	MG4555803
Size mm (w * d * h)	410 * 590 * 1591
Weight	19,450KG
Capacity	10 trays (325x430/530)

Accessories

Trolley Bumper for Metos TRT-10

- bumper for tray trolleys
- reduces crockery breakage
- to be ordered with the trolley

Product number	MG4554165
Size mm (w * d * h)	464 * 642 * 60
Weight	2,750KG



Tray trolley TRT-20C FP Black

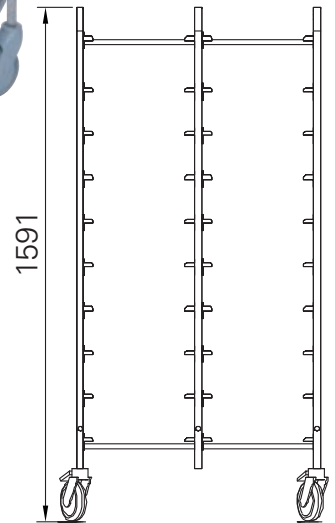
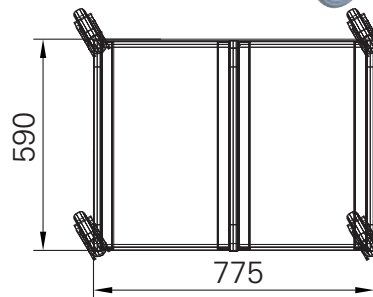
Code MG4555805

Flat pack

Features

- stainless steel frame
- panelling of black laminate
- guide rails of polypropene
- stoppers in the both ends of guide rails
- ball bearing wheels Ø 125 mm, two with brakes
- for 20 trays 325 x 430/530 mm
- delivery in cardboard box unmounted
- easy to mount with instruction and a tool included in delivery

Product number	MG4555805
Size mm (w * d * h)	775 * 590 * 1591
Weight	28,500KG
Capacity	20 trays (325x430/530)



Accessories

Trolley Bumper for Metos TRT-20

- bumper for tray trolleys
- reduces crockery breakage
- to be ordered with the trolley

Product number	MG4554167
Size mm (w * d * h)	826 * 642 * 60
Weight	3,000KG

Tray trolley TRT-10C FP Grey

Code MG4558096

Flat pack

Features

- stainless steel frame
- panelling of grey laminate
- guide rails of polypropene
- stoppers in the both ends of guide rails
- ball bearing wheels Ø 125 mm, two with brakes
- for 10 trays 325 x 430/530 mm
- delivery in cardboard box unmounted
- easy to mount with instruction and a tool included in delivery

Product number	MG4558096
Size mm (w * d * h)	410 * 590 * 1591
Weight	19,450KG
Capacity	10 trays (325x430/530)

Accessories

Trolley Bumper for Metos TRT-10

- bumper for tray trolleys
- reduces crockery breakage
- to be ordered with the trolley

Product number	MG4554165
Size mm (w * d * h)	464 * 642 * 60
Weight	2,750KG



Tray trolley TRT-20C FP Grey

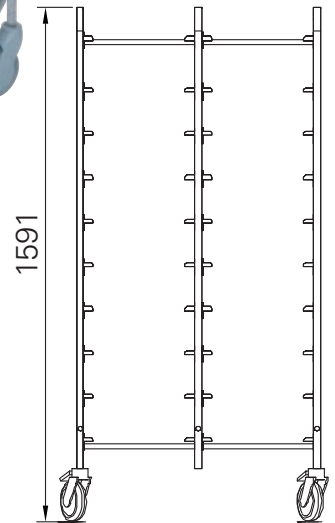
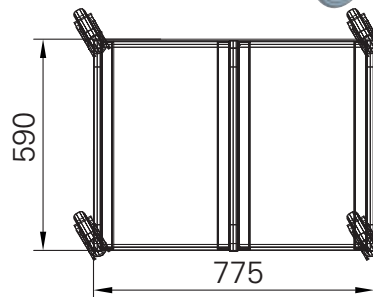
Code MG4558098

Flat pack

Features

- stainless steel frame
- panelling of grey laminate
- guide rails of polypropene
- stoppers in the both ends of guide rails
- ball bearing wheels Ø 125 mm, two with brakes
- for 20 trays 325 x 430/530 mm
- delivery in cardboard box unmounted
- easy to mount with instruction and a tool included in delivery

Product number	MG4558098
Size mm (w * d * h)	775 * 590 * 1591
Weight	28,500KG
Capacity	20 trays (325x430/530)



Accessories

Trolley Bumper for Metos TRT-20

- bumper for tray trolleys
- reduces crockery breakage
- to be ordered with the trolley

Product number	MG4554167
Size mm (w * d * h)	826 * 642 * 60
Weight	3,000KG

Plate cassette trolley PCT-6 FP

Code MG4554248

Flat pack

Features

- material stainless steel
- 2 single sided stainless steel shelves
- capacity 6 plate cassettes
- ball bearing wheels Ø 125 mm, two with brakes
- with plate cassettes diameter 28-32 cm it is recommended to use bumper
- max. load 100 kg
- delivery in cardboard box unmounted
- easy to mount with instruction and a tool included in delivery

Product number	MG4554248
Size mm (w * d * h)	1010 * 415 * 900
Weight	21,500KG
Capacity	6 plate cassettes, Ø28



Accessories

Trolley Bumper for PCT-6

- bumper for PCT-6 service trolleys
- reduces crockery breakage
- to be ordered with the trolley

Product number	MG4554168
Size mm (w * d * h)	1065 * 470 * 60
Weight	3,000KG

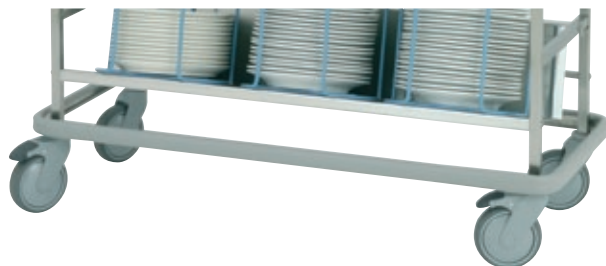
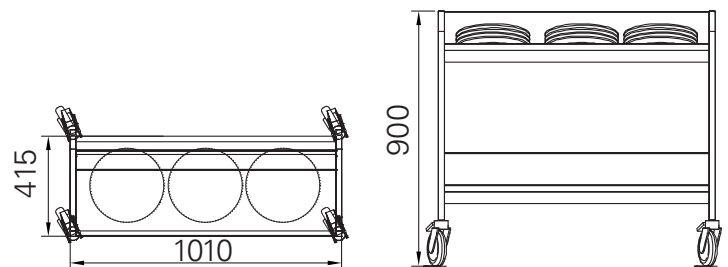


Plate cassette trolley PCT-8 FP

Code MG4554250

Flat pack

Features

- material stainless steel
- 2 double sided stainless steel shelves
- capacity 8 plate cassettes
- ball bearing wheels Ø 125 mm, two with brakes
- with plate cassettes diameter 28-32 cm it is recommended to use bumper
- max. load 130 kg
- delivery in cardboard box unmounted
- easy to mount with instruction and a tool included in delivery

Product number	MG4554250
Size mm (w * d * h)	765 * 630 * 900
Weight	25,100KG
Capacity	8 plate cassettes, Ø28



Accessories

Trolley Bumper Metos PCT-8/12

- bumper for PCT-8/-12 plate cassette trolleys
- reduces crockery breakage
- to be ordered with the trolley

Product number	MG4554166
Size mm (w * d * h)	820 * 685 * 60
Weight	3,000KG

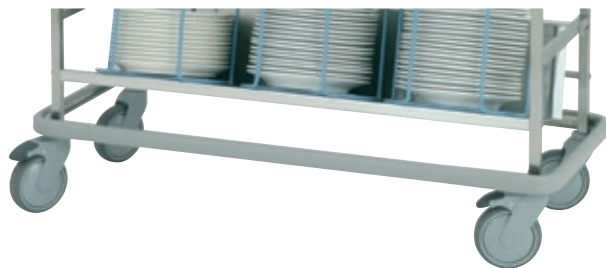
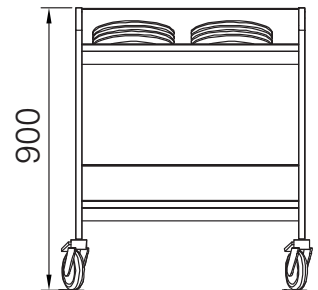
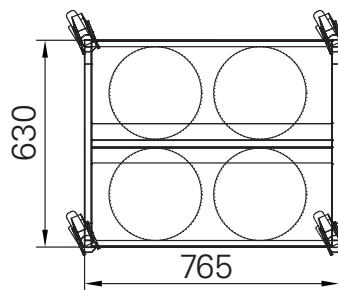


Plate cassette trolley PCT-12 FP

Code MG4554252

Flat pack

Features

- material stainless steel
- 3 double sided stainless steel shelves
- capacity 12 plate cassettes
- stainless steel wheels Ø 125 mm, two with brakes
- with plate cassettes diameter 28-32 cm it is recommended to use bumper
- max. load 200 kg
- delivery in cardboard box unmounted
- easy to mount with instruction and a tool included in delivery

Product number	MG4554252
Size mm (w * d * h)	765 * 630 * 1300
Weight	35,500KG
Capacity	12 plate cassettes, Ø28

Accessories

Trolley Bumper Metos PCT-8/12

- bumper for PCT-8/-12 plate cassette trolleys
- reduces crockery breakage
- to be ordered with the trolley

Product number	MG4554166
Size mm (w * d * h)	820 * 685 * 60
Weight	3,000KG

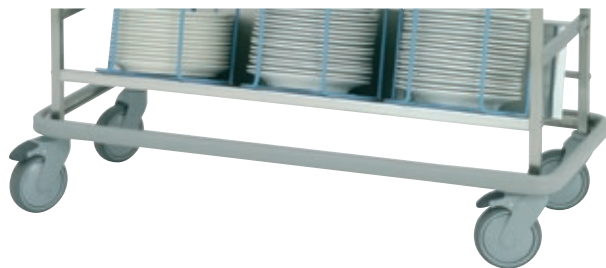
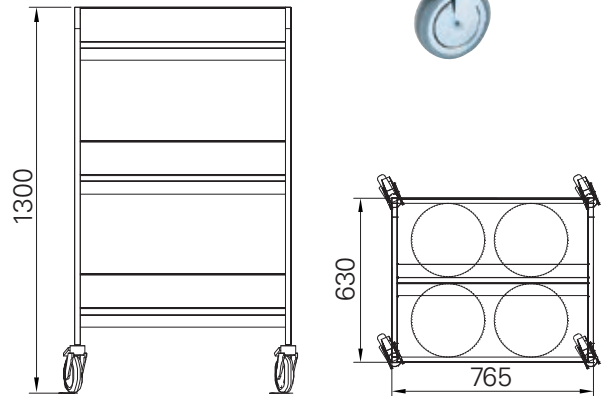


Plate cassette trolley PCT-12low FP

Code MG4554253

Flat pack

Features

- material stainless steel
- 2 double sided stainless steel shelves
- capacity 12 plate cassettes
- with plate cassettes diameter 28-32 cm it is recommended to use bumper
- max. load 200 kg
- delivery in cardboard box unmounted
- easy to mount with instruction and a tool included in delivery

Product number	MG4554253
Size mm (w * d * h)	1010 * 630 * 900
Weight	35,500KG
Capacity	12 plate cassettes, Ø28

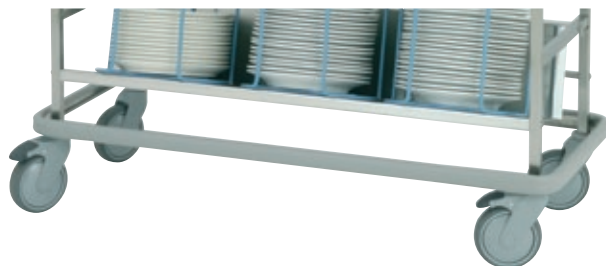
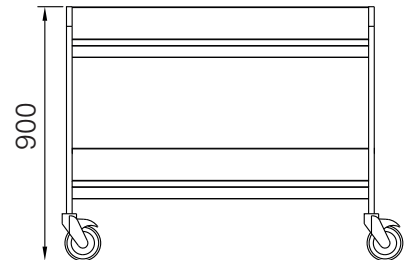
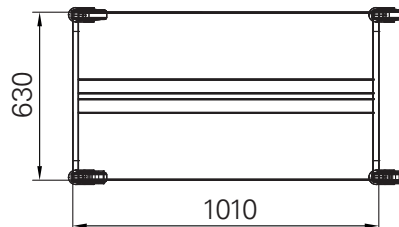


Accessories

Trolley Bumper for PCT-6 low

- bumper for PCT-12 low plate cassette trolley
- reduces crockery breakage
- to be ordered with the trolley

Product number	MG4554534
Size mm (w * d * h)	1065 * 685 * 60
Weight	3,000KG



Combination trolley COT-110 FP

Code MG4554258

Flat pack

Features

- stainless steel construction
- 2 shelves on the right side
- three guide rails for 500 or 460-series baskets on the left side, interval 165 mm
- stoppers in both ends of guide rails
- ball bearing wheels Ø 125 mm, two with brakes
- delivery in cardboard box unmounted
- easy to mount with instruction and a tool included in delivery

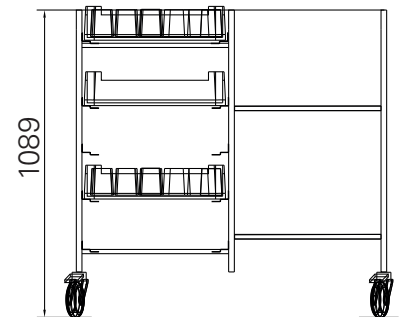
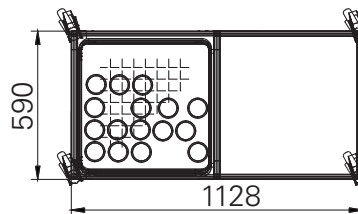
Product number	MG4554258
Size mm (w * d * h)	1128 * 590 * 1089
Weight	25,400KG
Capacity	5 baskets + 2 stainless plates



Accessories

Trolley Bumper for COT-110

- bumper for COT-110 combination trolley
- reduces crockery breakage
- to be ordered with the trolley



Product number	MG4554170
Size mm (w * d * h)	1185 * 645 * 60
Weight	3,000KG



Combination trolley COT-110 FP accessories

Accessories

Waste bin 30l COT-110

- plastic waste bin for combination trolley COT-110
- includes solid holder

Product number	MG4554442
Size mm (w * d * h)	540 * 210 * 125
Weight	1,400KG
Capacity	30 l

Tray holder for COT-110

- tray holder for combination trolleys COT-110
- material stainless steel

Product number	MG4554180
Size mm (w * d * h)	570 * 285 * 310
Weight	1,600KG

Plate cassette shelf for COT-110

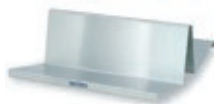
- plate cassette shelf for COT-110 combination trolley
- material stainless steel
- includes fastening parts

Product number	MG4554178
Size mm (w * d * h)	515 * 560 * 180
Weight	5,000KG
Capacity	4 stacks of plates

Holder for cutlery boxes COT-110

- holder for cutlery boxes to combination trolley COT-110
- material stainless steel

Product number	MG4554200
Size mm (w * d * h)	540 * 210 * 125
Weight	2,000KG



Combination trolley COT-75 FP

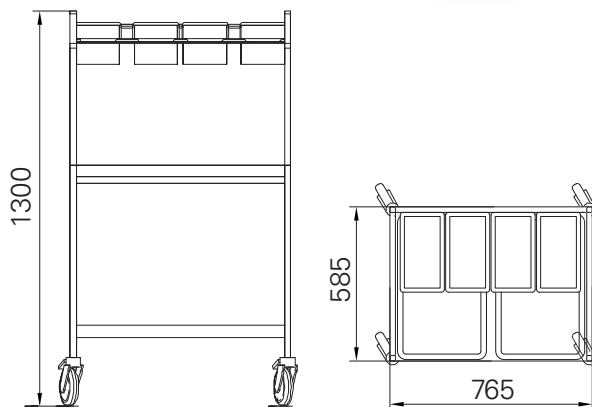
Code MG4554254

Flat pack

Features

- stainless steel construction
- ball bearing wheels Ø 125 mm, two with brakes
- two shelves 550 x 730
- adjustable tray shelf
- cutlery shelf and four cutlery boxes
- delivery in cardboard box unmounted
- easy to mount with instruction and a tool included in delivery

Product number	MG4554254
Size mm (w * d * h)	765 * 585 * 800/1300
Weight	25,500KG
Capacity	2 planes, 4 cutlery box holder



Accessories

Waste bin 2x11 l for COT-75

- stainless steel waste bin for COT-75 trolleys
- includes 2 plastic waste bins 2x11 l
- includes holder

Product number	MG4554190
Size mm (w * d * h)	270 * 370 * 325
Weight	6,000KG
Capacity	2 x 11 l



Combination trolley COT-282 FP

Code MG4554260

Flat pack

Features

- stainless steel construction
- two shelves
- three guide rails for 500- or 460-series baskets, interval 160 mm
- stoppers in both ends of guide rails
- ball bearing wheels Ø 125 mm, two with brakes
- delivery in cardboard box unmounted
- easy to mount with instruction and a tool included in delivery



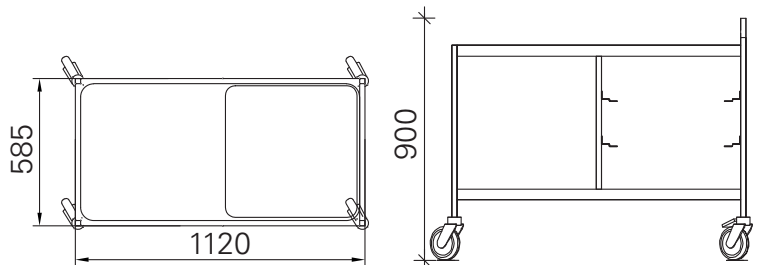
Product number	MG4554260
Size mm (w * d * h)	1120 * 585 * 800 / 900
Weight	22,500KG
Capacity	3 baskets + 2 planes

Accessories

Waste bin rack COT-282

- stainless steel holder for plastic waste bins
- fits COT-282 combination trolley
- delivery includes two 10 litres plastic bins
- easy fitting without tools

Product number	MG4554642
Size mm (w * d * h)	256 * 559 * 30
Weight	1,100KG
Capacity	2 x 10 l



Tray holder for COT-110

- tray holder for combination trolleys COT-282
- material stainless steel

Product number	MG4554180
Size mm (w * d * h)	570 * 285 * 310
Weight	1,600KG

Basket dispenser trolley RDT

Code MG4554096

Features

- stainless steel
- spring loaded shelf for dishbaskets
- capacity five dishbaskets
- ball bearing wheels Ø 75 mm, two with brakes

Product number	MG4554096
Size mm (w * d * h)	515 * 645 * 975
Weight	30,000KG
Capacity	5 baskets

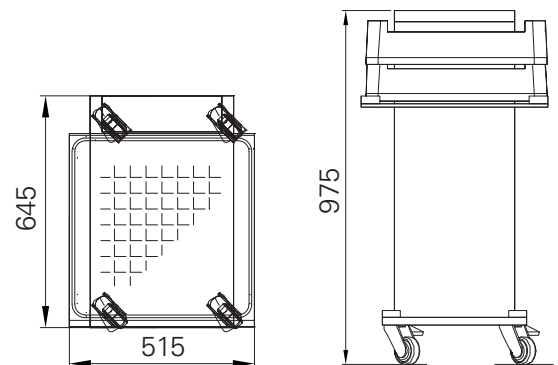


Accessories

Holder for cutlery boxes RDT

- holder for cutlery boxes to dispenser trolleys RDT
- material stainless steel
- width 460 mm
- height with cutlery box 1270 mm
- to be ordered with the trolley

Product number	MG4554192
Size mm (w * d * h)	505 * 395 * 250
Weight	2,500KG
Capacity	3 cutlery boxes



Tray dispenser trolley TDT

Code MG4554098

Features

- stainless steel
- spring loaded shelf for trays, adjustable according to load weight
- shelf size (L * D): 335 * 535 mm
- capacity max. 120 kg (depending on tray weight appr. 100 - 150 trays)
- easy rolling Ø 75 mm wheels with ball bearing, two castors with brakes

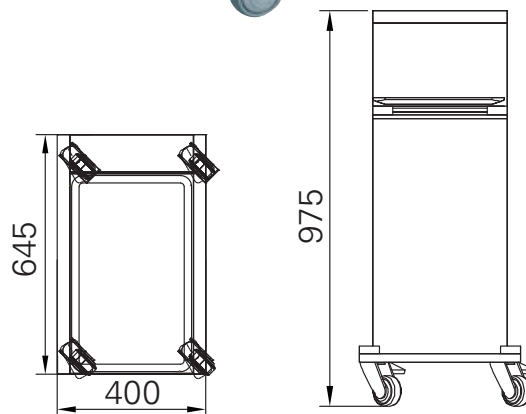
Product number	MG4554098
Size mm (w * d * h)	400 * 645 * 975
Weight	30,000KG
Capacity	100-150 trays

Accessories

Holder for cutlery boxes TDT

- holder for cutlery boxes to dispenser trolleys TDT
- material stainless steel
- width 460 mm
- height with cutlery box 1270 mm
- to be ordered with the trolley

Product number	MG4554192
Size mm (w * d * h)	505 * 395 * 250
Weight	2,500KG
Capacity	3 cutlery boxes



Tray/cutlery trolley TCT-45 FP

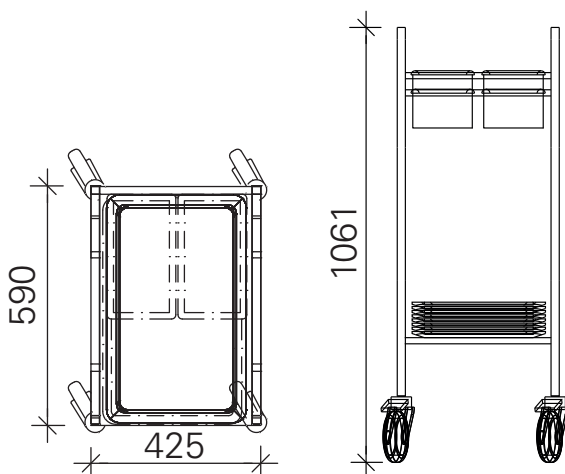
Code MG4554100

Flat pack

Features

- stainless steel construction
- ball bearing wheels Ø 125 mm, two with brakes
- capacity 100 trays
- two cutlery boxes
- dampening mat under shelf
- delivery in cardboard box unmounted
- easy to mount with instruction and a tool included in delivery

Product number	MG4554100
Size mm (w * d * h)	425 * 590 * 1061
Weight	8,000KG
Capacity	100 trays



Tray/cutlery trolley TCT-75 FP

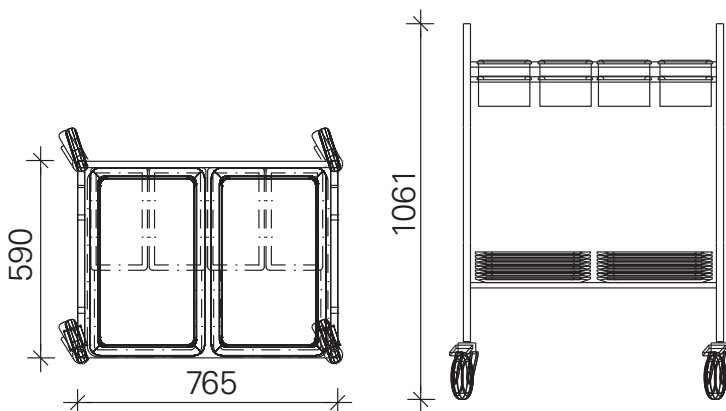
Code MG4554102

Flat pack

Features

- stainless steel construction
- ball bearing wheels Ø 125 mm, two with brakes
- capacity 200 trays
- four cutlery boxes
- dampening mat under shelf
- delivery in cardboard box unmounted
- easy to mount with instruction and a tool included in delivery

Product number	MG4554102
Size mm (w * d * h)	765 * 590 * 1061
Weight	13,850KG
Capacity	200 trays



 **NORDIEN-SYSTEM**

Metos Oy Ab

Ahjonkaarre

FI-04220 Kerava, FINLAND

T. +358 204 3913

international.sales@metos.com

www.metos.com

an Ali Group Company



the spirit of excellence

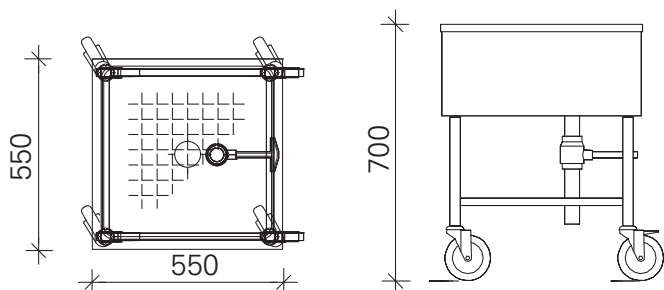
Cutlery soak trolley NS 245

Code MG4551240 + MG4551292

Features

- stainless steel trolley to be used with cutlery baskets for presoaking
- all welded
- 125 mm castors, 2 with brakes
- outlet with ball valve
- chute 4554622 to accompany

Product number	MG4551240 + MG4551292
Size mm (w * d * h)	550 * 550 * 700
Weight	18,000KG
Capacity	500 x 500 mm basket



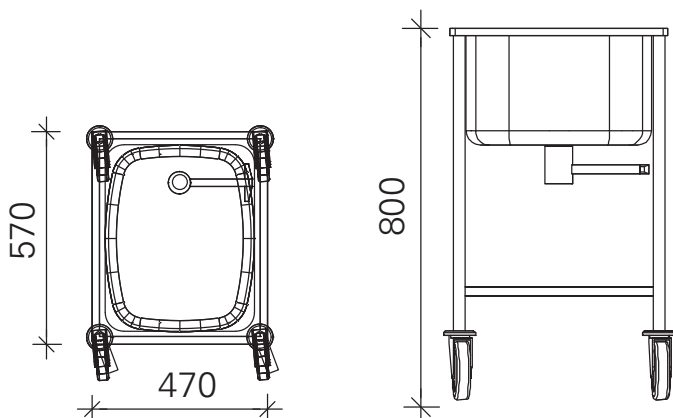
Basin trolley AV-45

Code MG4116137

Features

- stainless steel
- capacity 45 liters
- basin 400 x 500 x 250 mm.
- castor Ø 125 mm, two castors equipped with brakes

Product number	MG4116137
Size mm (w * d * h)	470 * 570 * 800
Weight	11,000KG
Capacity	45 litres



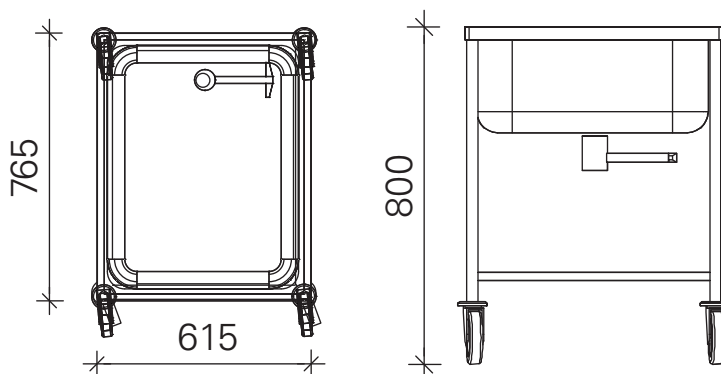
Basin trolley AV-50

Code MG4116144

Features

- stainless steel
- capacity 50 liters
- basin 550 x 700 x 140 mm.
- castor Ø 125 mm, two castors equipped with brakes
- runners for two 500 mm baskets

Product number	MG4116144
Size mm (w * d * h)	615 * 765 * 800
Weight	12,000KG
Capacity	50 litres



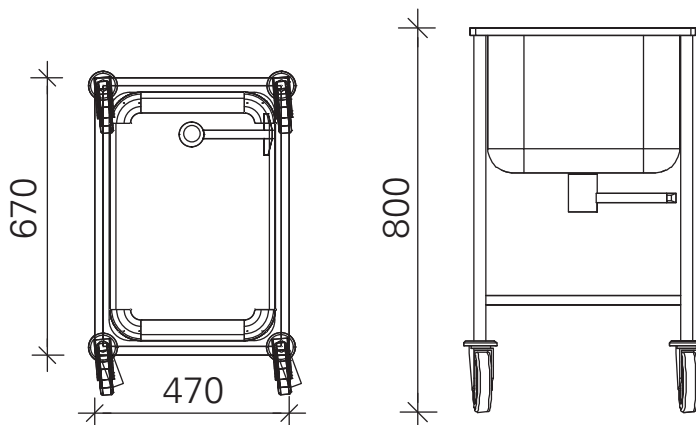
Basin trolley AV-70

Code MG4116148

Features

- stainless steel
- capacity 70 liters
- castor Ø 125 mm, two castors equipped with brakes
- basin 400 x 600 x 300 mm.

Product number	MG4116148
Size mm (w * d * h)	470 * 670 * 800
Weight	16,000KG
Capacity	70 litres



 **NORDIEN-SYSTEM**

Metos Oy Ab

Ahjonkaarre

FI-04220 Kerava, FINLAND

T. +358 204 3913

international.sales@metos.com

www.metos.com

an Ali Group Company



the spirit of excellence

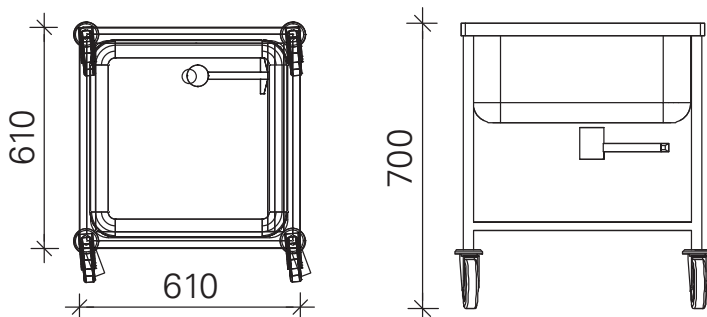
Basin trolley AV-75

Code MG4187085

Features

- stainless steel
- capacity 75 liters
- castor Ø 125 mm, two castors equipped with brakes
- basin 550x550x250 mm
- runner for one 500 mm basket

Product number	MG4187085
Size mm (w * d * h)	610 * 610 * 700
Weight	16,000KG
Capacity	75 litres



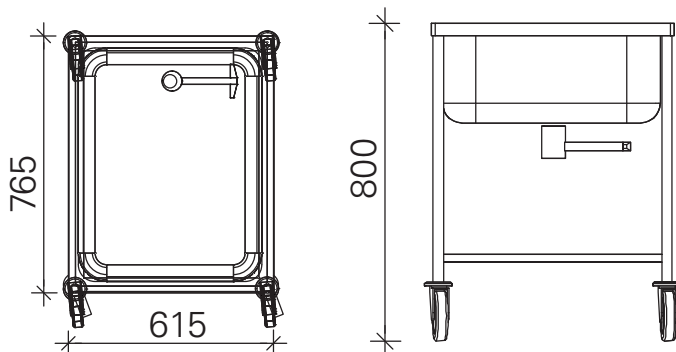
Basin trolley AV-90

Code MG4116151

Features

- stainless steel
- capacity 90 liters
- basin 550 x 700 x 250 mm.
- castor Ø 125 mm, two castors equipped with brakes
- runners for two 500 mm baskets

Product number	MG4116151
Size mm (w * d * h)	615 * 765 * 800
Weight	20,000KG
Capacity	90 litres



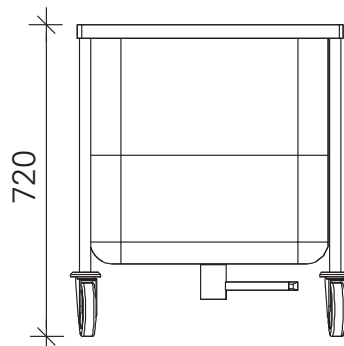
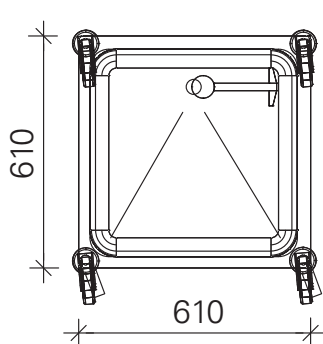
Basin trolley AV-175

Code MG4116154

Features

- stainless steel
- capacity 175 liters
- castor Ø 125 mm, two castors equipped with brakes
- basin 550 x 550 x 550 mm

Product number	MG4116154
Size mm (w * d * h)	610 * 610 * 720
Weight	21,000KG
Capacity	175 litres



Shelf trolley SHT-75 FP

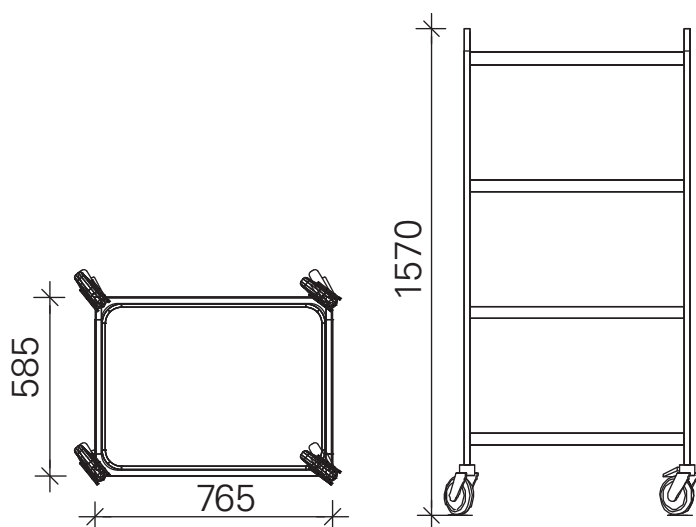
Code MG4554212

Flat pack

Features

- stainless steel
- ball bearing wheels Ø 125 mm, two with brakes
- four shelves 550 x 730 mm, interval 370 mm
- max. load 120 kg
- delivery in cardboard box unmounted
- easy to mount with instruction and a tool included in delivery

Product number	MG4554212
Size mm (w * d * h)	765 * 585 * 1570
Weight	29,800KG
Capacity	4 shelves



Shelf trolley SHT-90 FP

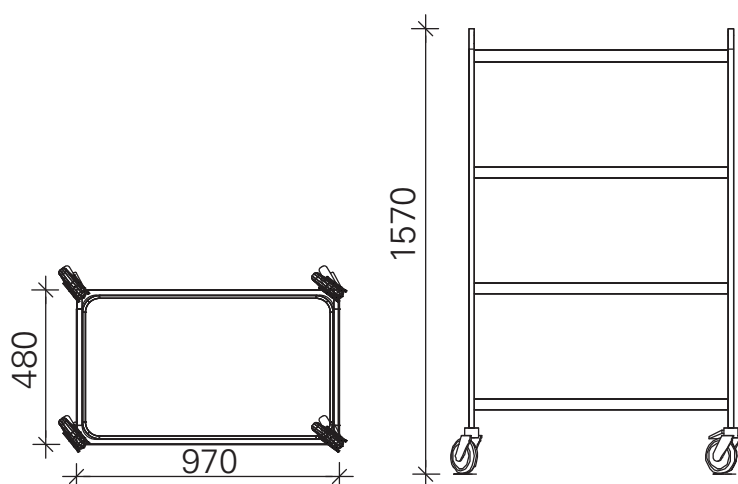
Code MG4554214

Flat pack

Features

- stainless steel frame
- plastic griddle shelves
- ball bearing wheels Ø 125 mm, two with brakes
- four shelves 450 x 900 mm, interval 370 mm
- max. load 120 kg
- delivery in cardboard box unmounted
- easy to mount with instruction and a tool included in delivery

Product number	MG4554214
Size mm (w * d * h)	970 * 480 * 1570
Weight	30,900KG
Capacity	4 shelves



 **NORDIEN-SYSTEM**

Metos Oy Ab

Ahjonkaarre

FI-04220 Kerava, FINLAND

T. +358 204 3913

international.sales@metos.com

www.metos.com

an Ali Group Company



the spirit of excellence

Laundry trolley LAT FP

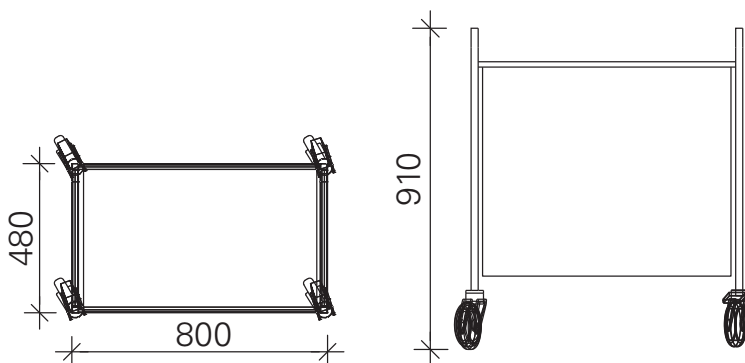
Code MG4554272

Flat pack

Features

- stainless steel frame
- ball bearing wheels Ø 125 mm, two with brakes
- delivered with strong linen sack
- delivery in cardboard box unmounted
- easy to mount with instruction and a tool included in delivery

Product number	MG4554272
Size mm (w * d * h)	800 * 480 * 910
Weight	9,300KG
Capacity	250 l



GN container trolley GNT-7 FP

Code MG4554204

Flat pack

Features

- stainless steel construction
- ball bearing wheels Ø 125 mm, two with brakes
- 7 guide rails for GN 1/1
- rail interval 75 mm.
- rails equipped with stoppers that prevent basins sliding during transportation
- delivery in cardboard box unmounted
- easy to mount with instruction and a tool included in delivery

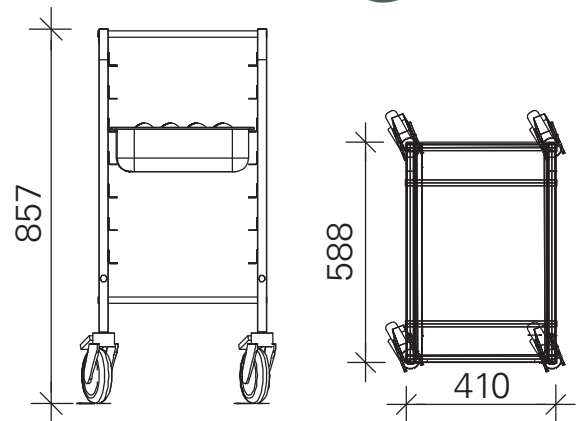
Product number	MG4554204
Size mm (w * d * h)	410 * 588 * 857
Weight	10,550KG
Capacity	7x GN 1/1-65

Accessories

Top shelf for GNT-7

- top shelf for GNT-7 trolleys
- material stainless steel

Product number	4554182
Size mm (w * d * h)	385 * 565 * 70
Weight	2,750KG



GN container trolley GNT-12 FP

Code MG4554208

Flat pack

Features

- stainless steel construction
- ball bearing wheels Ø 125 mm, two with brakes
- 12 guide rails for GN 1/1
- rail interval 105 mm.
- rails equipped with stoppers that prevent basins sliding during transportation
- delivery in cardboard box unmounted
- easy to mount with instruction and a tool included in delivery

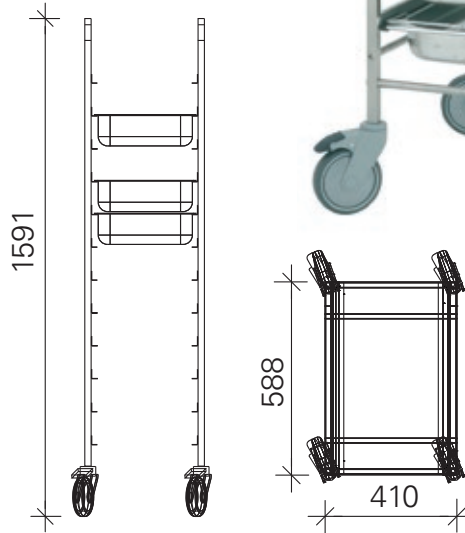
Product number	MG4554208
Size mm (w * d * h)	410 * 588 * 1591
Weight	15,450KG
Capacity	12x GN 1/1-100

Accessories

Top shelf for GNT-12

- top shelf for GNT-12 trolleys
- material stainless steel

Product number	MG4554182
Size mm (w * d * h)	385 * 565 * 70
Weight	2,750KG



GN-container trolley GNT-14 FP

Code MG4554206

Flat pack

Features

- stainless steel construction
- ball bearing wheels Ø 125 mm, two with brakes
- 14 guide rails for GN 1/1
- rail interval 75 mm.
- rails equipped with stoppers that prevent basins sliding during transportation
- delivery in cardboard box unmounted
- easy to mount with instruction and a tool included in delivery

Product number	MG4554206
Size mm (w * d * h)	770 * 588 * 857
Weight	17,100KG
Capacity	14x GN 1/1-65

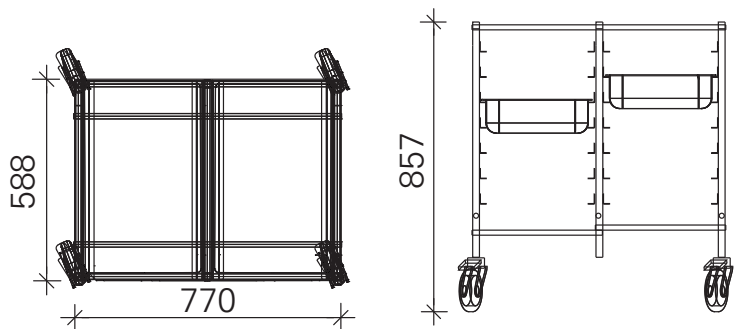


Accessories

Top shelf for GNT-14

- top shelf for GNT-14 trolleys
- material stainless steel

Product number	MG4554184
Size mm (w * d * h)	750 * 565 * 70
Weight	5,100KG



GN-container trolley GNT-24 FP

Code MG4554210

Flat pack

Features

- stainless steel construction
- ball bearing wheels Ø 125 mm, two with brakes
- 24 guide rails for GN 1/1
- rail interval 105 mm.
- rails equipped with stoppers that prevent basins sliding during transportation
- delivery in cardboard box unmounted
- easy to mount with instruction and a tool included in delivery

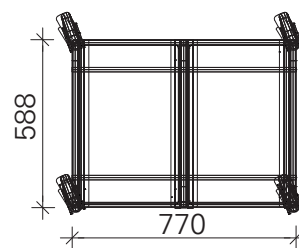
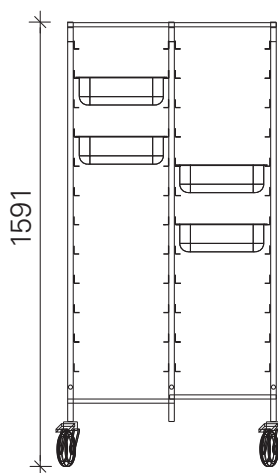
Product number	MG4554210
Size mm (w * d * h)	770 * 588 * 1570
Weight	26,000KG
Capacity	24x GN 1/1-100

Accessories

Top shelf for GNT-24

- top shelf for GNT-24 trolleys
- material stainless steel

Product number	MG4554184
Size mm (w * d * h)	750 * 565 * 70
Weight	5,100KG



Waste trolley WAB-45

Code MG4554146

Features

- stainless steel platform
- removable plastic waste bin
- capacity 45 litres
- ball bearing wheels Ø 75 mm, two with brakes

Product number	MG4554146
Size mm (w * d * h)	Ø 458 mm * 535
Weight	6,000KG
Capacity	45 l

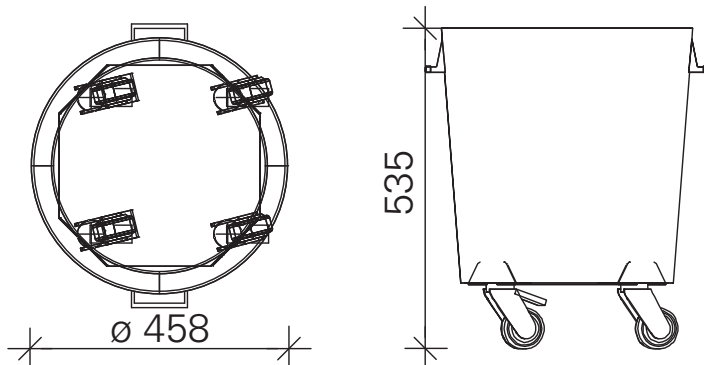


Accessories

Lid for WAB-45

- plastic cover for waste trolley WAB-45
- black

Product number	MG4554194
Size mm (w * d * h)	Ø 455 mm * 23
Weight	0,400KG



Waste trolley WAB-65

Code MG4554148

Features

- stainless steel platform
- removable plastic waste bin
- capacity 65 litres
- ball bearing wheels Ø 75 mm, two with brakes

Product number	MG4554148
Size mm (w * d * h)	Ø 485 mm * 580
Weight	6,500KG
Capacity	65 l

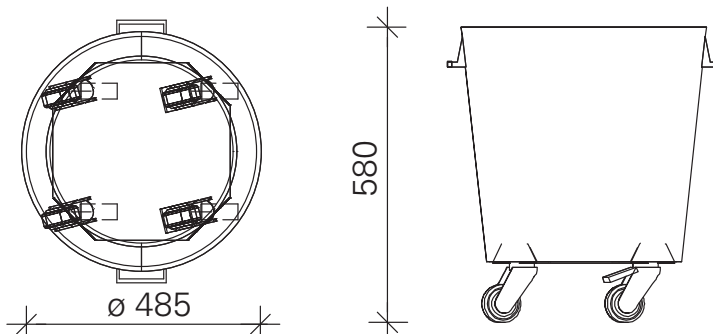


Accessories

Lid for WAB-65

- plastic cover for waste trolley WAB-65
- white

Product number	MG4554196
Size mm (w * d * h)	Ø 485 mm * 40
Weight	1,000KG



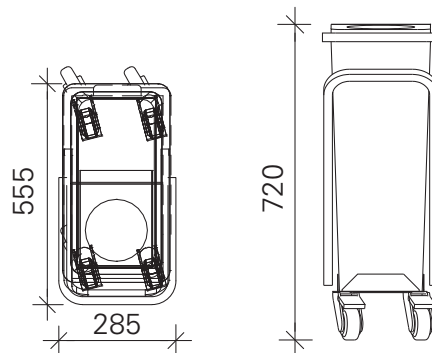
Waste trolley WAT-60

Code MG4554150

Features

- stainless steel frame
- removable plastic waste bin 60 litres with lid
- handle can be removed if necessary
- wheels with ball bearing Ø 75 mm, two with brakes
- total height with waste bin and lid: 720 mm

Product number	MG4554150
Size mm (w * d * h)	285 * 555 * 660/720
Weight	7,150KG
Capacity	60 l



Accessories

Waste bin WAC-60

- extra plastic waste bin with lid
- 60 liters

Product number	MG4554526
Size mm (w * d * h)	285 * 555 * 620
Weight	1,000KG

Waste trolley WAT-120

Code MG4554152

Features

- stainless steel frame
- 2 x 60 litres removable plastic waste bin with lid
- handle can be removed if necessary
- wheels with ball bearing Ø 75 mm, two with brakes
- total height with waste bin and lid: 720 mm

Product number	MG4554152
Size mm (w * d * h)	555 * 555 * 660/720
Weight	11,820KG
Capacity	2x 60 l

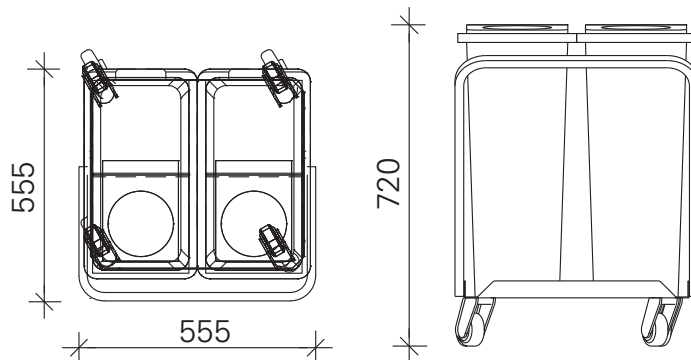


Accessories

Waste bin WAC-60

- extra plastic waste bin with lid
- 60 liters

Product number	MG4554526
Size mm (w * d * h)	285 * 555 * 620
Weight	1,000KG



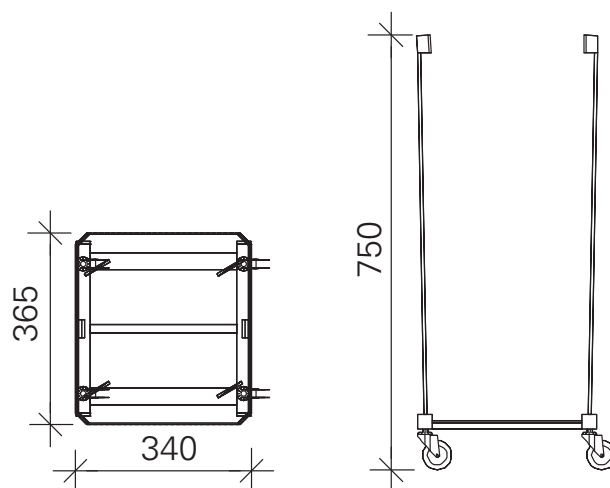
Sack trolley 60 l SAT-60

Code MG4551250

Features

- stainless steel frame
- wheels with ball bearing Ø 75 mm, two with brakes

Product number	MG4551250
Size mm (w * d * h)	365 * 340 * 750
Weight	4,600KG
Capacity	60 l sack



Sack trolley 125 l SAT-125

Code MG4551248

Features

- stainless steel frame
- wheels with ball bearing Ø 75 mm, two with brakes

Product number	MG4551248
Size mm (w * d * h)	485 * 450 * 800
Weight	6,800KG
Capacity	125 l sack

